

CLEANING PROTOCOL

SOCOREX 520 SERIES CALIBREX® DISPENSERS

TO MAINTAIN CALIBREX® DISPENSERS IN OPTIMUM WORKING CONDITION IT IS IMPORTANT THAT THESE SIMPLE CLEANING PROCEDURES ARE ROUTINELY FOLLOWED.

CLEANING ON A DAILY BASIS

- Remove dispenser from dosing bottle.
- Thoroughly rinse the entire unit in hot water.
- Flush the inside of the unit with hot water by drawing up via the plunger & feed tube.

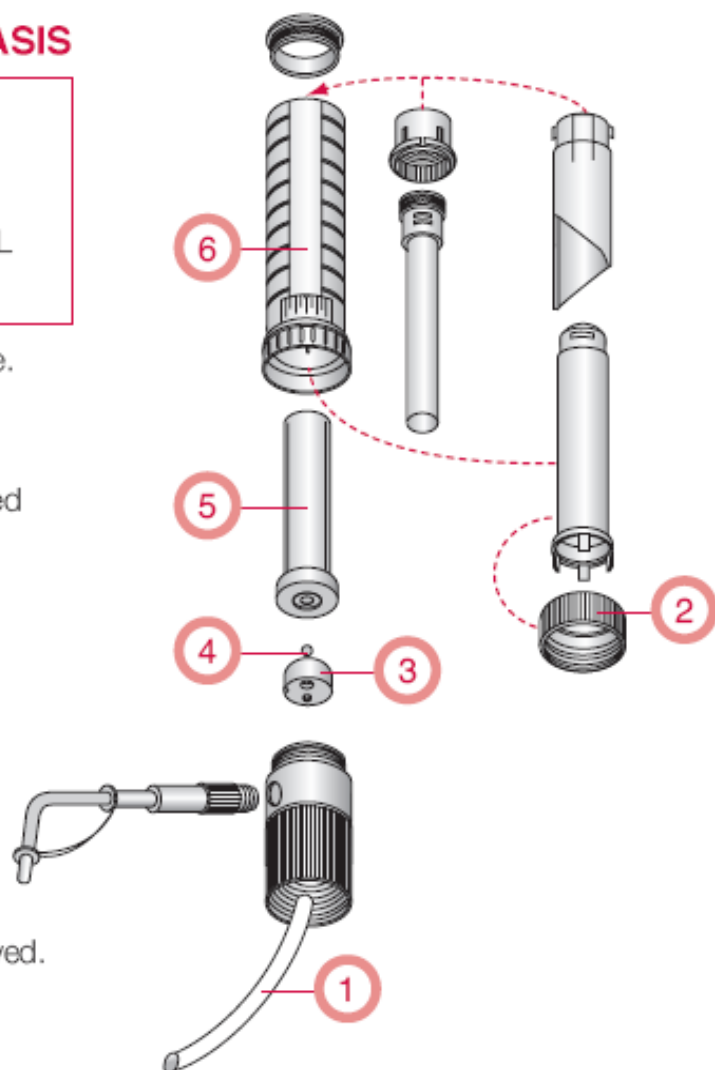
CLEANING ON A WEEKLY BASIS

AT LEAST ONCE A WEEK WE RECOMMEND DISASSEMBLING THE UNIT FOR COMPLETE CLEANING OF ALL THE INTERNAL COMPONENTS.

- Remove dispenser from dosing bottle.
- Repeat daily cleaning procedure.
- Remove feed tube (1).
- Unscrew the ring assembly (2) located under the volume window by turning to the left.
- Remove the ceramic valve assembly (3 white disc) and glass aspiration ball (4).

Take care not to lose glass ball

- Remove glass barrel assembly (5) from plastic sleeve (6).
- Soak & rinse all parts in hot soapy water ensuring that any methadone/bidone residue is removed.
- Dry components.
- Reassemble unit.



Dispensers must be thoroughly cleaned prior to returning to supplier for service/repair and must be accompanied with a signed decontamination certificate.

For further information please contact your local
Interpath Services Representative or one of our Customer Service departments on
Melbourne 03 94576277 • Sydney 02 95241199 • Freecall 1800 626 369